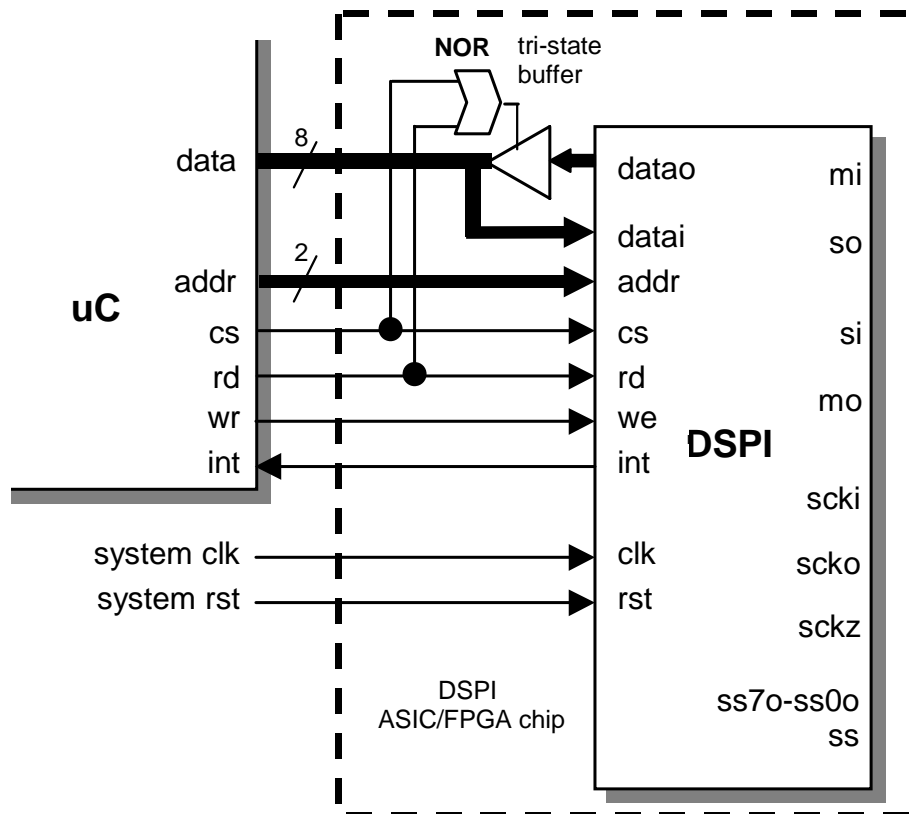


DSPI Core connection to microcontroller

This document describe how to connect the DSPI device to the microcontroller with separated address/data buses.



DSPI Core connection to the microcontroller.

The data output bus of the DSPI Core “datao” is connected to the bi-directional microcontroller data bus via a tri-state buffer. Data on the DSPI “datao” bus appears only during reading the DSPI contents (cs and rd pins controls the tri-state buffer) by the microcontroller. In any other cases the DSPI “datao” bus is driven into high-impedance.