

# HID Platform

## USB 2.0 HID Design Platform

### v. 1.10

#### OVERVIEW

The USB 2.0 **HID Design Platform** is a complete, integrated solution dedicated to wide range of USB based Human Interface Devices like mouse, keyboard or pen tablet.

The complete HID Design Platform includes:

- DUSB2 peripheral controller, designed to support 12 Mb/s "Full Speed" (FS) and 480 Mb/s "High Speed" (HS) serial data transmission rates
- DP8051XP ultra high performance, speed optimized, fully customizable 8051 8-bit microcontroller with built in DoCD™ debug IP core
- Human Interface Devices software stack optimized for DP8051XP 8-bit CPU
- FPGA board with ready to use, preprogrammed example HID application
- HAD2 – DoCD™ Hardware Assisted Debugger board
- DoCD™ Debug Software
- DoCD™ driver for Keil development software
- DoCD™ driver for IAR development software

#### MAIN FEATURES

- Full compliance with the USB 2.0 specification
- Full-speed 12 Mbps operation
- High-speed 480 Mbps operation
- Supports UTMI Transceiver Macrocell Interface
- Suspend and resume power management functions
- 100% software compatible with industry standard 8051
- Up to 256 bytes of internal (on-chip) Data Memory

- Up to 64K bytes of internal (on-chip) or external (off-chip) Program Memory
- Up to 16M bytes of external (off-chip) Data Memory
- User programmable Program Memory Wait States solution for wide range of memories speed
- User programmable External Data Memory Wait States solution for wide range of memories speed
- Fully synthesizable, static synchronous design with positive edge clocking and no internal tri-states
- Scan test ready

#### DELIVERABLES

- ◆ DUSB2 & DP8051XP source code:
  - VHDL Source Code or/and
  - VERILOG Source Code or/and
  - FPGA netlist
- ◆ DUSB2 & DP8051XP test bench environments
  - NCSim automatic simulation macros
  - ModelSim automatic simulation macros
  - Active-HDL automatic simulation macros
  - Tests with reference responses
- ◆ Human Interface Devices software stack source code
- ◆ FPGA board with ready to use, preprogrammed example application
- ◆ HAD2 - DoCD™ Hardware Assisted Debugger board
- ◆ DoCD™ Debug Software
- ◆ DoCD™ driver for Keil development software
- ◆ DoCD™ driver for IAR development software
- ◆ Technical documentation
  - Installation notes
  - HDL core specification
  - Datasheet
- ◆ Synthesis scripts
- ◆ Technical support

- IP Core implementation support
- 3 months maintenance
- Delivery the IP Core updates, minor and major versions changes
- Delivery the documentation updates
- Phone & email support

## LICENSING

Comprehensible and clearly defined licensing methods, without royalty-per-chip fees, make using of IP Core easy and simple.

Single Site license option – it is dedicated for small and middle sized companies, running their business at one location.

Multi Sites license option – it is dedicated for corporate customers, running their business at several places. Licensed product can be used in selected company branches. In all cases, number of IP Core instantiation within a project and number of manufactured chips are unlimited. The license is royalty-per-chip free. There is no restrictions regarding the time of use.

There are two formats of delivered IP Core

- VHDL, Verilog RTL synthesizable source code called HDL Source
- FPGA EDIF/NGO/NGD/QXP/VQM called Netlist

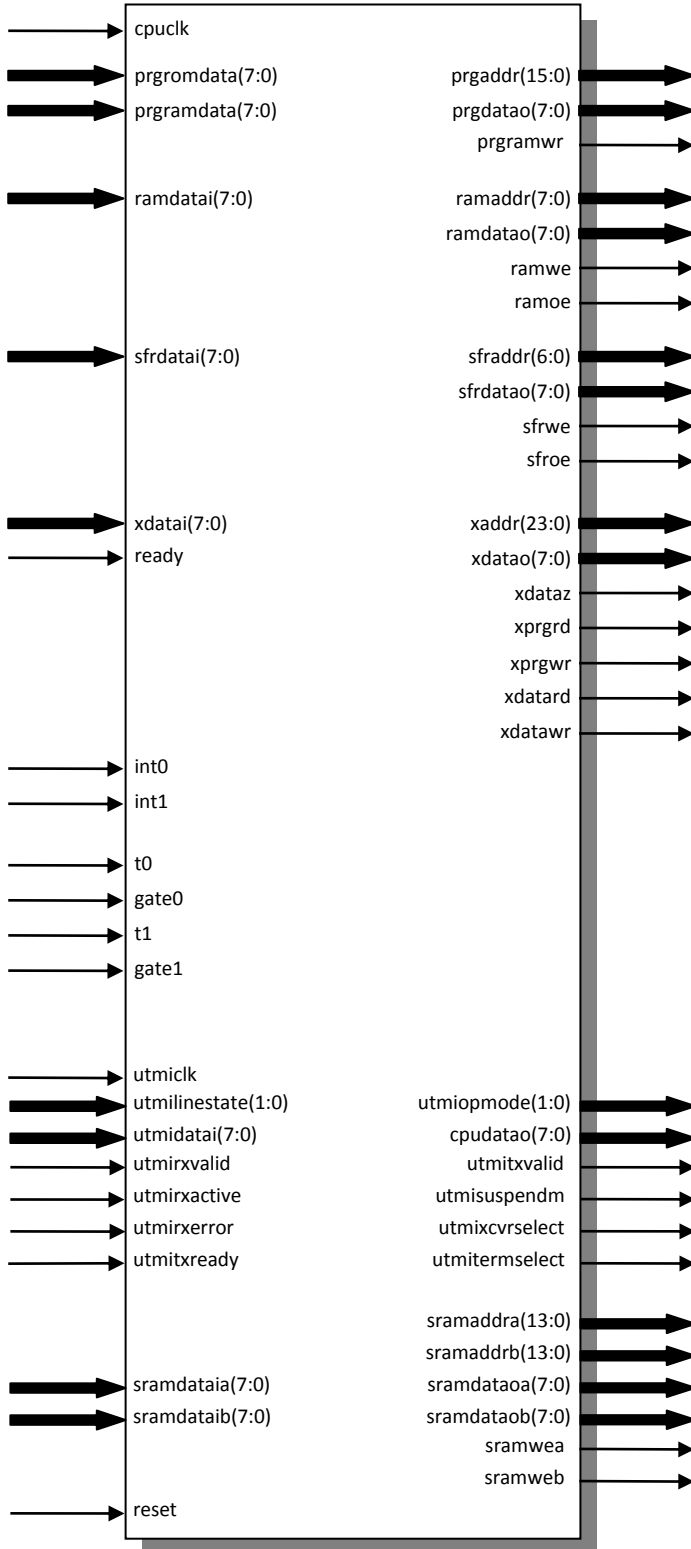
## PINS DESCRIPTION

PIN	TYPE	DESCRIPTION
reset	input	Global reset
utmick	input	USB clock
utmilinestate(1:0)	input	USB line state
utmidatai(7:0)	input	USB parallel data input bus
utmrxvalid	input	USB receive valid
utmrxactive	input	USB receive active
utmrxerror	input	USB receive error
utmitxready	input	USB transmit ready
sramdataia(7:0)	input	SRAM port A data input bus
sramdataib(7:0)	input	SRAM port B data input bus
cpuclk	input	CPU clock
prgramdata[7:0]	input	Data bus from internal RAM program memory
prgromdata[7:0]	input	Data bus from internal ROM progogram memory
ramdatai[7:0]	input	Data bus from internal data memory

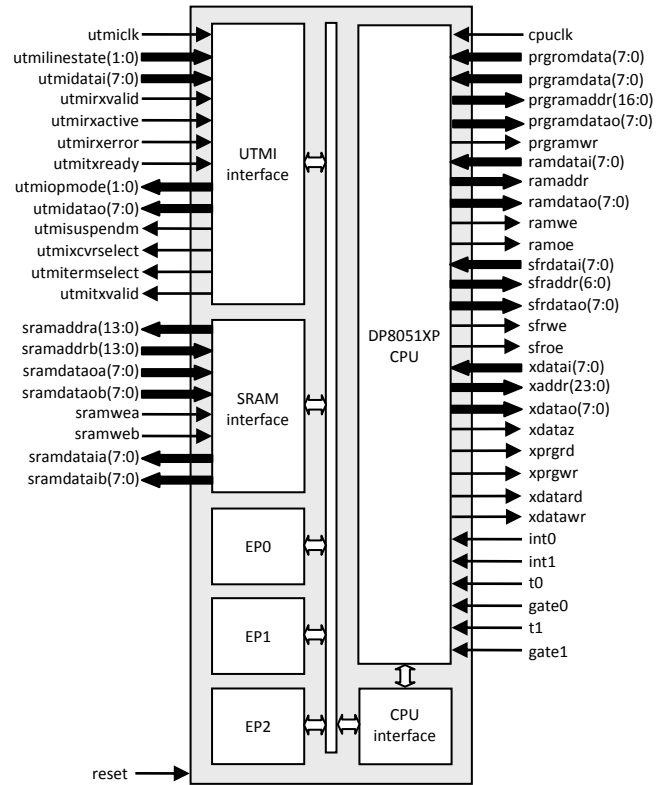
PIN	TYPE	DESCRIPTION
sfrdatai[7:0]	input	Data bus from user SFR's
xdatai[7:0]	input	Data bus from external memories
int0	input	External interrupt 0
int1	input	External interrupt 1
t0	input	Timer 0 input
gate0	input	Timer 0 gate input
t1	input	Timer 1 input
gate1	input	Timer 1 gate input
utmiopmode(1:0)	output	USB operational mode
utmidatao(7:0)	output	USB parallel data output bus
utmisuspendm	output	USB suspend
utmixcvrselect	output	USB transceiver select
utmitermselect	output	USB termination select
utmitxvalid	output	USB transmit valid
sramaddr(13:0)	output	SRAM port A address bus
sramaddrb(13:0)	output	SRAM port B address bus
sramdataoa(7:0)	output	SRAM port A data output bus
sramdataob(7:0)	output	SRAM port B data output bus
sramwea	output	SRAM port A write enable
sramweb	output	SRAM port B write enable
prgaddr[15:0]	output	Internal program memory address bus
prgdatao[7:0]	output	Data bus for internal program memory
prgramwr	output	Internal program memory write
ramaddr[7:0]	output	Internal Data Memory address bus
ramdatao[7:0]	output	Data bus for internal data memory
ramoe	output	Internal data memory output enable
ramwe	output	Internal data memory write enable
sfraddr[6:0]	output	Address bus for user SFR's
sfrdatao[7:0]	output	Data bus for user SFR's
sfroe	output	User SFR's output enable
sfrwe	output	User SFR's write enable
xaddr[23:0]	output	Address bus for external memories
xdatao[7:0]	output	Data bus for external memories
xdataz	output	Turn xdata bus into 'Z' state
xprgrd	output	External program memory read
xprgwr	output	External program memory write
xdatard	output	External data memory read
xdatawr	output	External data memory write



**SYMBOL**



**BLOCK DIAGRAM**



**UNITS SUMMARY**

**UTMI Interface** – The UTMI interface is clocked by utmick clock and manages communication with USB 2.0 Transceiver Macrocell. It is responsible for reset detection, speed handshake, token, data and handshake packet reception and transmission.

**CPU Interface** – The CPU interface module is clocked by cpucck clock and manages communication with DP8051XP CPU. In this module DUSB2 core configuration and status registers are being located.

**SRAM Interface** – The SRAM interface module manages communication with Synchronous Random Access Memory. It generates address, read and write signals for the SRAM memory and buffers data bytes during the FIFO read and write operations.

**EP0 endpoint** –The EP0 control endpoint is Special bidirectional endpoint used for device configuration. Allows generic USB control and status access.



**EP1 & EP2 endpoints** – The EP1 and EP2 data endpoints are unidirectional, configurable endpoints, used for application specific data transmission.

**DP8051XP CPU** – Ultra high performance, speed optimized 8-bit embedded controller, 100% software compatible with industry standard 8051

## PERFORMANCE

The following tables give a survey about the Core area and performance in ASICs Devices.

Device	Optimization	cpuclk F <sub>max</sub>	utmick F <sub>max</sub>
0.25u typical	area	> 200 MHz	>100 MHz
0.25u typical	speed	> 200 MHz	>100 MHz
0.18u typical	area	> 200 MHz	>100 MHz
0.18u typical	speed	> 200 MHz	>100 MHz
0.13u typical	area	> 200 MHz	>100 MHz
0.13u typical	speed	> 200 MHz	>100 MHz

*Core performance in ASIC devices*

Area utilized by complete, integrated USB 2.0 HID Design Platform in vendor specific technologies, summarized in table below.

Component	Area [Gates]
CPU interface	1400
UTMI interface	1600
SRAM interface	700
EPO endpoint	900
EP1 endpoint	1100
EP2 endpoint	1100
DP8051XP CPU	7000
DoCD™ debug IP core	2200
<b>Total area</b>	<b>16000</b>

*Core components area utilization*



## CONTACT

For any modification or special request, please contact Digital Core Design or local distributors.

**Headquarters:**

Wroclawska 94

41-902 Bytom, POLAND

*e-mail:* : [info@dcd.pl](mailto:info@dcd.pl)

*tel.* : +48 32 282 82 66

*fax* : +48 32 282 74 37

**Distributors:**

Please check: <http://dcd.pl/sales/>