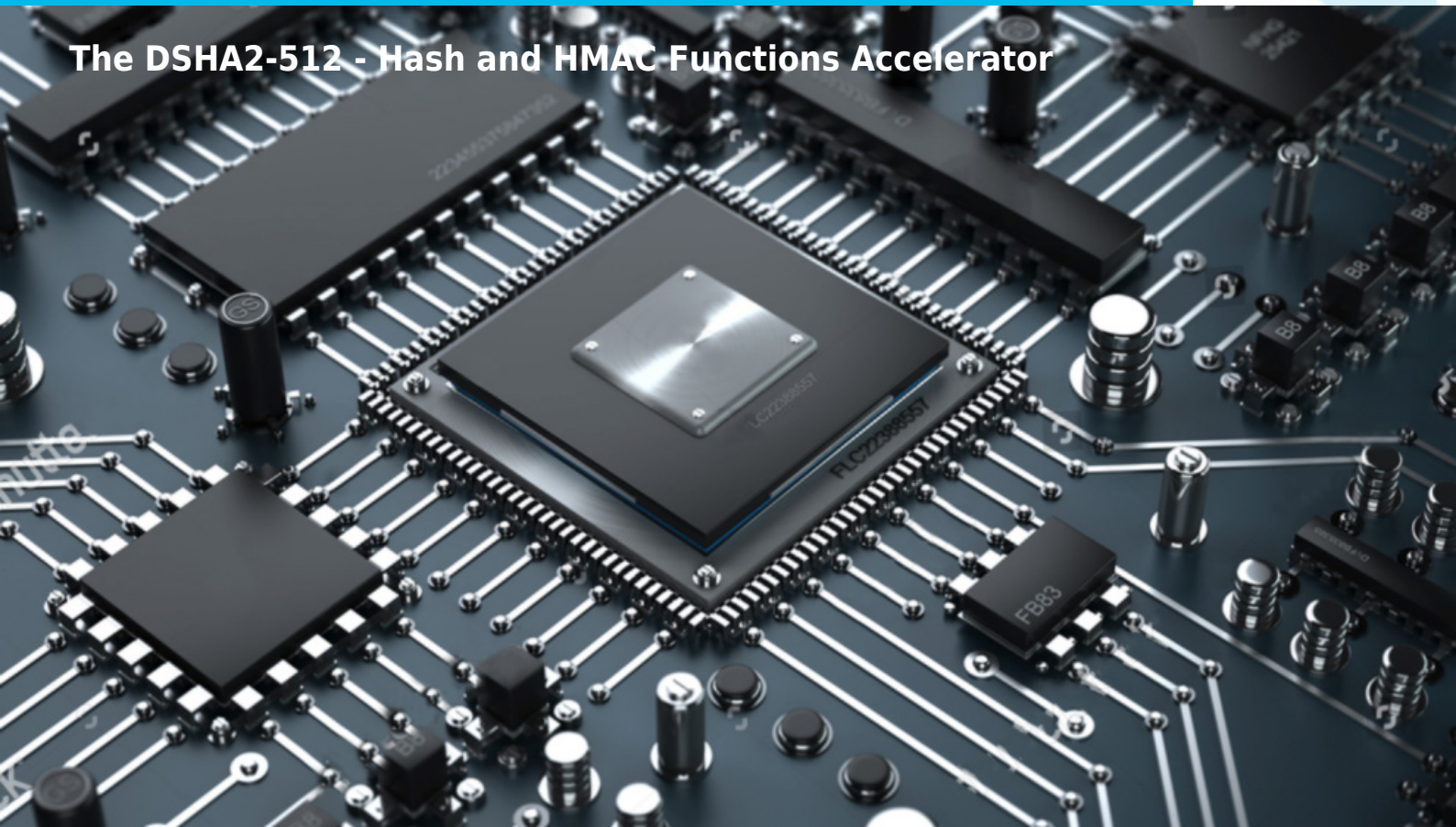


# DSHA2-512



The DSHA2-512 - Hash and HMAC Functions Accelerator



## COMPANY OVERVIEW

Digital Core Design is a leading IP Core provider and a System-on-Chip design house. The company was founded in 1999 and since the very beginning has been focused on IP Core architecture improvements. Our innovative, silicon proven solutions have been employed by over 300 customers and with more than 500 hundred licenses sold to companies like Intel, Siemens, Philips, General Electric, Sony and Toyota. Based on more than 70 different architectures, starting from serial interfaces to advanced microcontrollers and SoCs, we are designing solutions tailored to your needs.

## IP CORE OVERVIEW

**DSHA2-512** bridge to APB, AHB, AXI bus, it is a universal solution that **efficiently accelerates SHA2-512 hash function compliant with FIPS PUB 180-4**. It computes message digest in either **256, 224, 384 or 512-bit** modes. Allowed input message length is up to  $2^{64} - 1$  bit. Depending on the core configuration it also natively **supports the SHA2-512 HMAC (Keyed-Hash Message Authentication Code), a cryptographic function defined in RFC 2104**. This IP is suitable for **authenticity and data integrity verification in digital signature protocols** and generally in **secure communication**. It might also be used in **accelerating cryptocurrency computations**. What is more, it offers a **context-swapping feature**, which might be used in complex systems with a task's preemption mechanism. Its other application can be software managed or a custom HMAC scheme. SHA2 is a family of cryptography secures one-way compression functions based on the Merkle-Damgard structure, the 256 version sequentially processes 512-bit input blocks during 64 rounds. From arbitrary length input message (maximum  $2^{64} - 1$  bits) it produces fixed 256 or 224-bit length digest in a way, that it is practically infeasible to invert it (get an original message from its digest). Such a property is called a one-way function. The cryptographic security of SHA2-512 is assumed at a 128-bit level (112-bit in the case of SHA2-224) which makes it appropriate for use in security applications. Some of these applications need to prove knowledge or possession of some secret data while computing message digest. For such authentication purposes, the HMAC function has been designed. It combines both secret key and cryptography secure hash function (like SHA2-256).

### DESIGN FEATURES:

**ALL DCD'S IP CORES ARE TECHNOLOGY INDEPENDENT WHICH MEANS THAT THEY ARE 100% COMPATIBLE WITH ALL FPGA & ASIC VENDORS E.G.**

- **Altera / Intel,**
- **Xilinx / AMD,**
- **Lattice,**
- **Microsemi / Microchip,**  
**and others.**
- **TSMC**
- **UMC**

- **SK Hynix**  
**and others.**

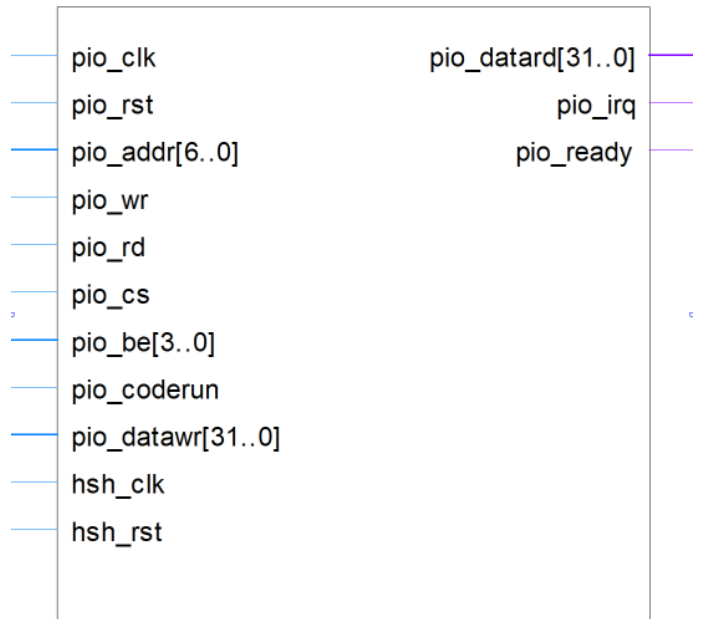
## KEY FEATURES

- FIPS PUB 180-4 compliant SHA2-512 function
- RFC 2104 compliant HMAC mode native support
- SHA2 224, 256, 384, 512-bit modes support
- Secure storage for precomputed HMAC keys
- Hash/HMAC context swapping
- Internal, automatic padding module
- Binary message resolution support
- Flexible data read/write modes
- Software driver with OpenSSL/MbedTLS interface ready
- **Available system interface wrappers:**
  - **AMBA - APB / AHB / AXI Bus**
  - **Altera Avalon Bus**
  - **Xilinx OPB Bus**

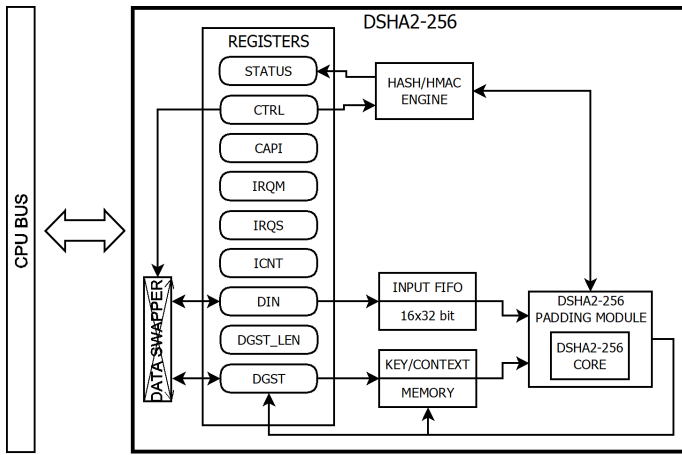
## APPLICATIONS

- Digital signature
- Data integrity
- Key derivation
- TLS/SSH/PGP IPsec communication

## HARDWARE DESCRIPTION



## BLOCK DIAGRAM



- Example application
- Technical support
  - IP Core implementation support
  - 12 months of maintenance
    - Delivery of the IP Core and documentation updates
    - Phone & email support
    - Design consulting

## LICENSING

Comprehensible and clearly defined licensing methods without royalty-per-chip fees make use of our IP Cores easy and simple.

- **Single-Site license option** - dedicated to small and middle sized companies which run their business at one place.

- **Multi-Site license option** - dedicated to corporate customers which operate at several locations. The licensed product can be used at selected company branches.

In all cases the number of IP Core instantiations within a project and the number of manufactured chips are unlimited. There are no restrictions regarding the time of use.

There are two formats of the delivered IP Core that you can choose from:

- VHDL or Verilog RTL synthesizable source code (called HDL Source code)
- FPGA EDIF/NGO/NGD/QXP/VQM (called Netlist)

HDL Source code is suitable for ASIC and FPGA projects. The Netlist license is intended for FPGA projects only.

## CONTACT

### Digital Core Design Headquarters:

Wroclawska 94, 41-902 Bytom, POLAND

E-mail: [info@dcd.pl](mailto:info@dcd.pl)

tel.: +48 32 282 82 66

fax: +48 32 282 74 37

### Distributors:

Please check: [dcd.pl/contact-us/](http://dcd.pl/contact-us/)

## PERFORMANCE

To provide you with the most accurate and detailed insights about the ASIC performance, we encourage you to get in touch with us directly.

Please feel free to contact us at [info@dcd.pl](mailto:info@dcd.pl). Our dedicated team will be more than happy to assist you with any inquiries you may have.

## DELIVERABLES

The list of deliverables consists of:

- Source code:
  - VERILOG Source Code
  - Software driver in C with OpenSSL/MbedTLS interface ready
- VERILOG test bench environment
  - Active-HDL automatic simulation macros
  - ModelSim automatic simulation macros
  - Tests with reference responses
- Technical documentation
  - HDL core specification
  - Software driver documentation
- Synthesis scripts